

## HISH Vertical Screw Conveyors

### **HISH KEEPS YOUR MATERIALS MOVING !**

HISH VERTICAL SCREW CONVEYORS are the sensible answer to the problem of lifting bulk materials from one level to a higher one.

HISH VERTICAL SCREW CONVEYORS can handle a diverse range of materials...powdered and granular, flakey and lumpy, even thick slurries.

Why not use HISH's wide experience in material handling to ensure that you are provided with the correct Conveyor for your particular conditions and requirements.

These sturdy, modular and efficient VERTICAL SCREW CONVEYORS are available in standard sizes ranging from 6 to 12 inch diameter, capable of lifting up to 80 cubic meters per hour up to height of 20 meters vertically or at any incline down to 45 degrees.

The selection of feeding arrangements available guarantees that these VERTICAL SCREW CONVEYORS will give long-life and reliable service in handling your materials.

Whether you require to expand your plant, need to convey hard-to-handle materials, or simply need our expertise...ask HISH...

**AT HISH ,WE HAVE THE ANSWERS.**

# HISH<sub>L.T.D</sub>

**HISH PROCESSING &  
CONVEYING TECHNOLOGY LTD.**

P.O.B.2195 Industrial Zone Afula Elite 18101

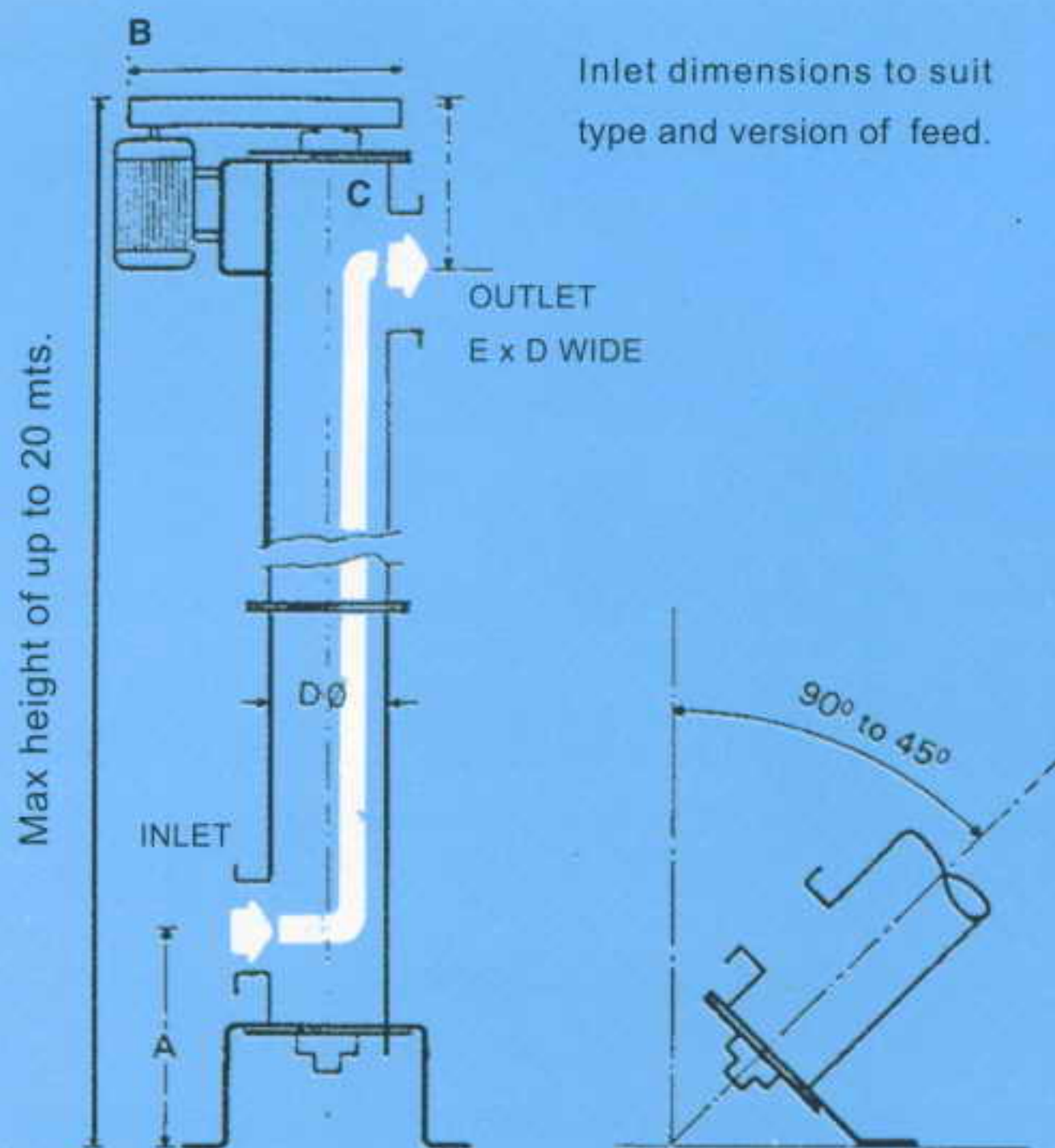
Tel: 972-4-6592376 Fax: 972-4-6595802

E-mail: [hishco@netvision.net.il](mailto:hishco@netvision.net.il)

Web site: [www.hishcorp.com](http://www.hishcorp.com)



# GENERAL DATA



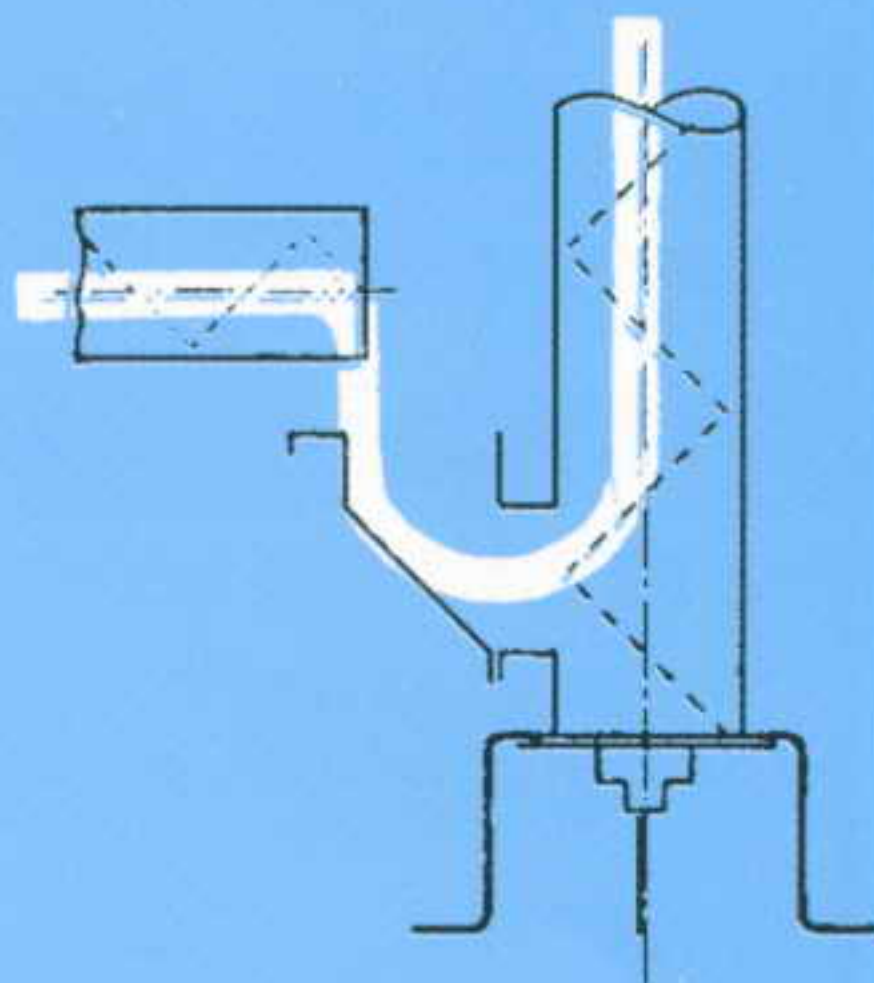
SCREW DIA (inches)	DIMENSIONS in mm				
	A	B	C	D	E
6	290	695	370	168	240
8	320	750	410	219	312
10	350	900	450	273	390
12	385	960	485	324	463

SCREW DIA (inches)	CAPACITY cubic meters/hour	
	FREE FLOW + HOPPERED INLET	SCREW FEED INLET
6	3	10
8	4	25
10	6	43
12	12	80

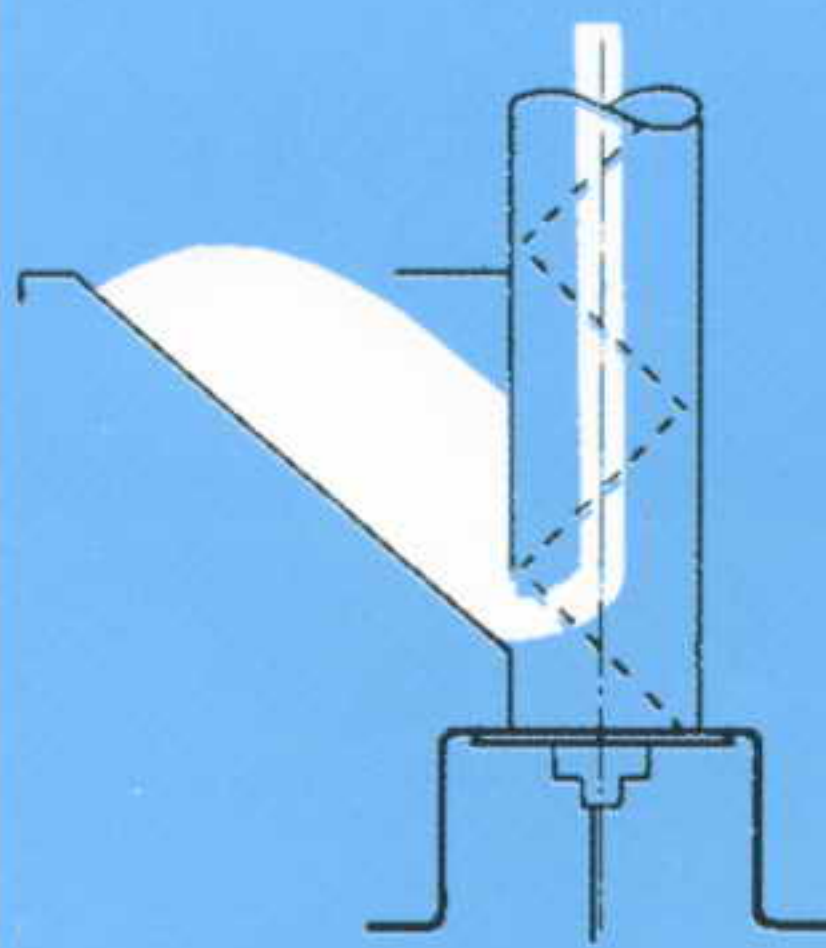
Capacities are indicative only and dependent upon many factors. Before selection ask HISH for evaluation of you needs.

## INLET MATERIAL FEED ARRANGMENTS

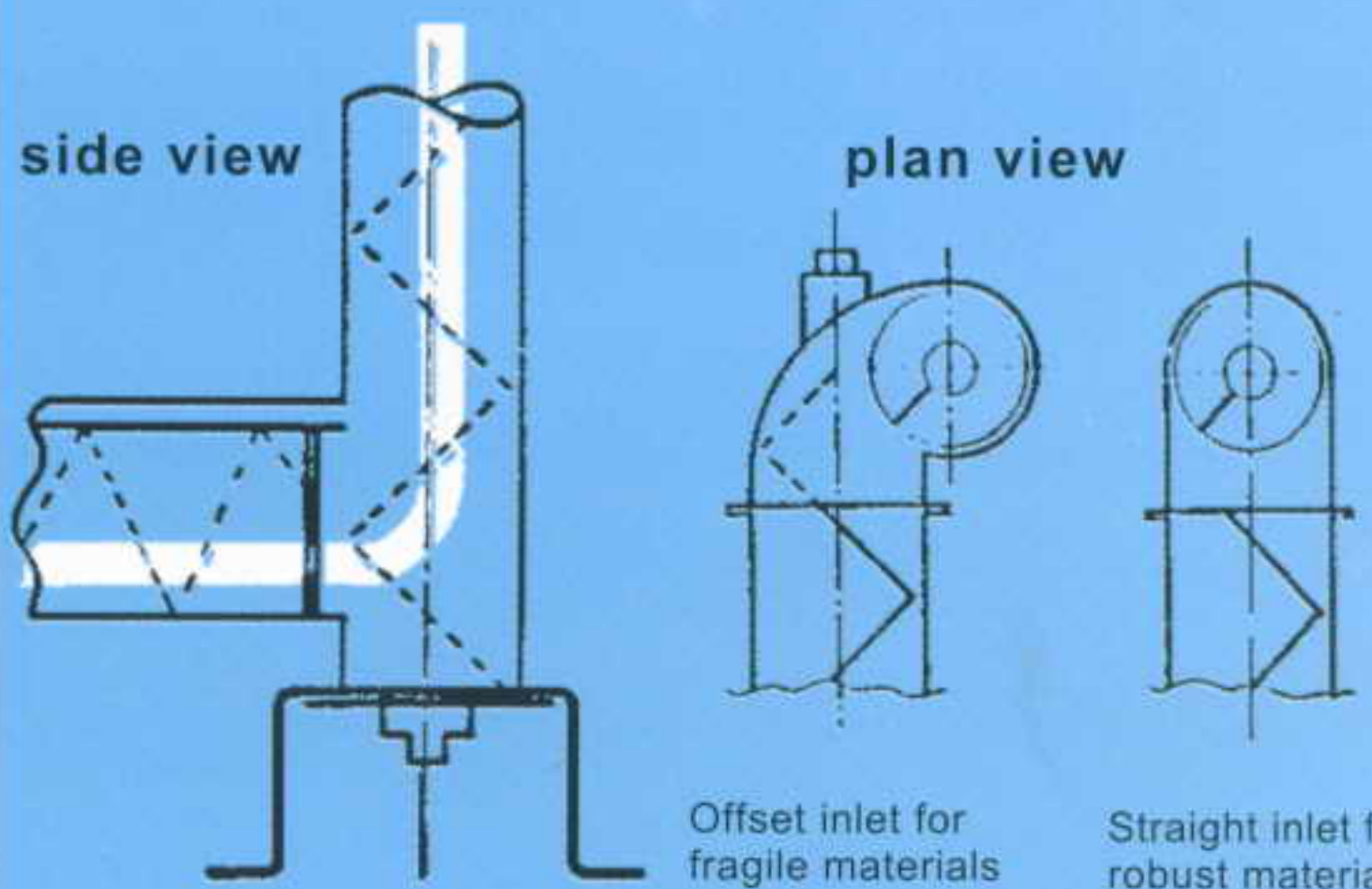
### FREE FLOW INLET



### HOPPERED INLET



### SCREW FEED INLET



## FEATURES

- Simple to install and operate.
- Rugged modular construction.
- Unique, intermediate bearing (if reqd.) minimizes blocking.
- Multiple outlets possible.
- Drives to suit customer's requirements.
- Bearings sealed against ingress of foreign material.

- Made from Carbon Steel with under-coat paint finish as standard. Stainless Steel 304 or 316 optional.
- Must be supported at base, head and every 6 mts. along casing length.

### Note

In accordance with our policy to make continuing improvements, specifications are subject to change without prior notice.