

BIN ACTIVATOR



HISH KEEPS YOUR MATERIALS FLOWING

The Most Trusted and Widely Used Bin Discharger – Proven Through Experience in Over 75,000 Installations.

HISH BIN ACTIVATORS ARE MADE UNDER LICENSE OF VIBRA SCREW INC., TOTOWA U.S.A.- THE INVENTOR AND ORIGINATOR OF THIS METHOD.

The **Bin Activator** is recognized as the most effective means for discharging materials from storage bins in a positive, continuous flow.

Eliminates bridging, jamming, segregation and ratholing. Micron-sized particles, chunks, fibers, flaky, sticky and fragile materials – all **have been handled successfully** by the **Hish Bin Activator**. Even such **difficult to-handle materials** as foundry sand, titanium dioxide, wood chips, brown sugar and wet shale **are discharged freely on demand**.

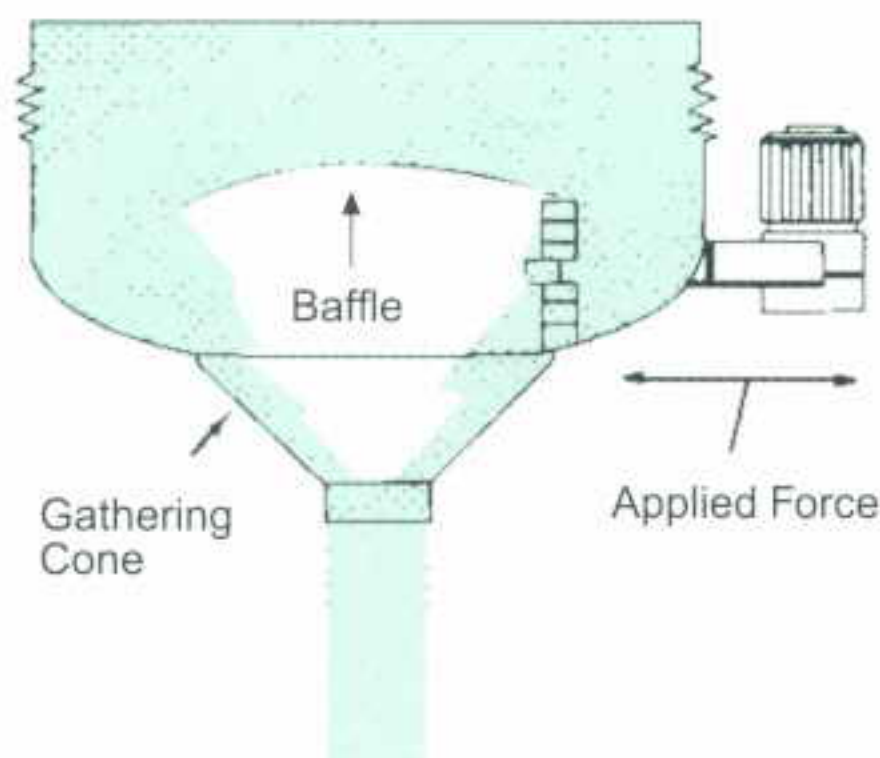
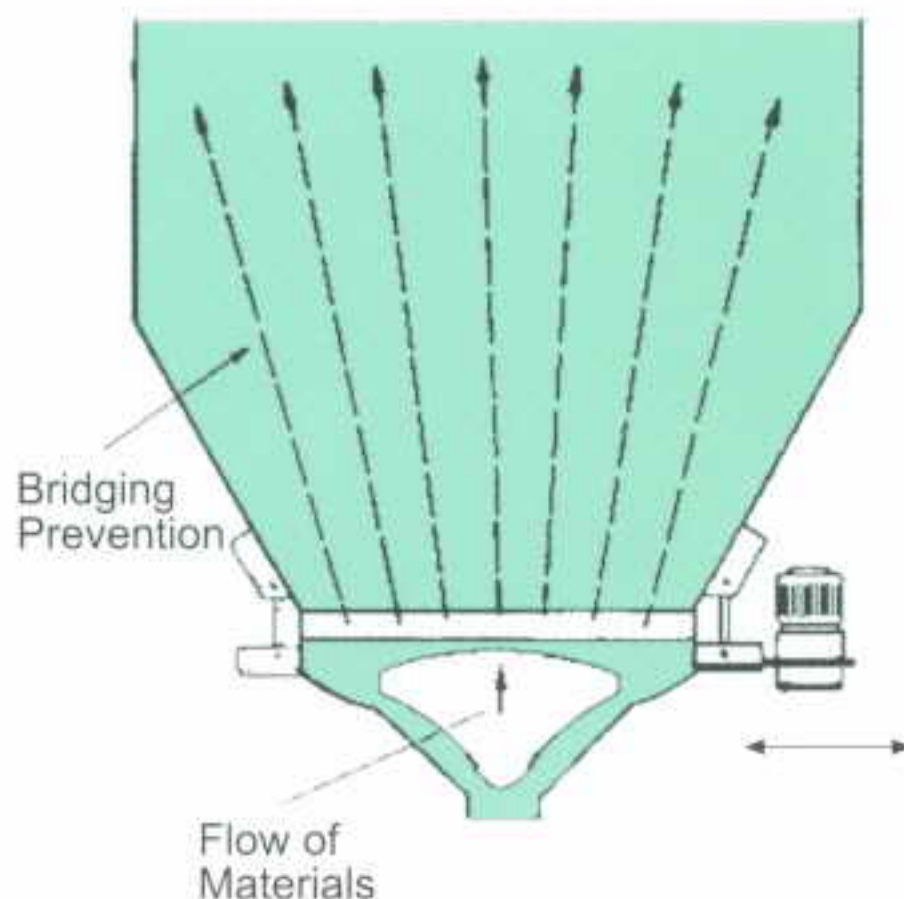
The Hish Bin Activator **operates quietly** and **continuously** with virtually no maintenance and can be attached to any existing or new bin, whether round, square, steel or concrete.

We handle materials in industries concerned with:

- Mining
- Chemicals
- Steel
- Wood
- Food
- Agriculture
- Pharmaceuticals
- Plastics

AT HISH WE HAVE THE ANSWERS

OPERATING PRINCIPLE



HISH_{L.T.D}

HISH PROCESSING & CONVEYING TECHNOLOGY LTD.

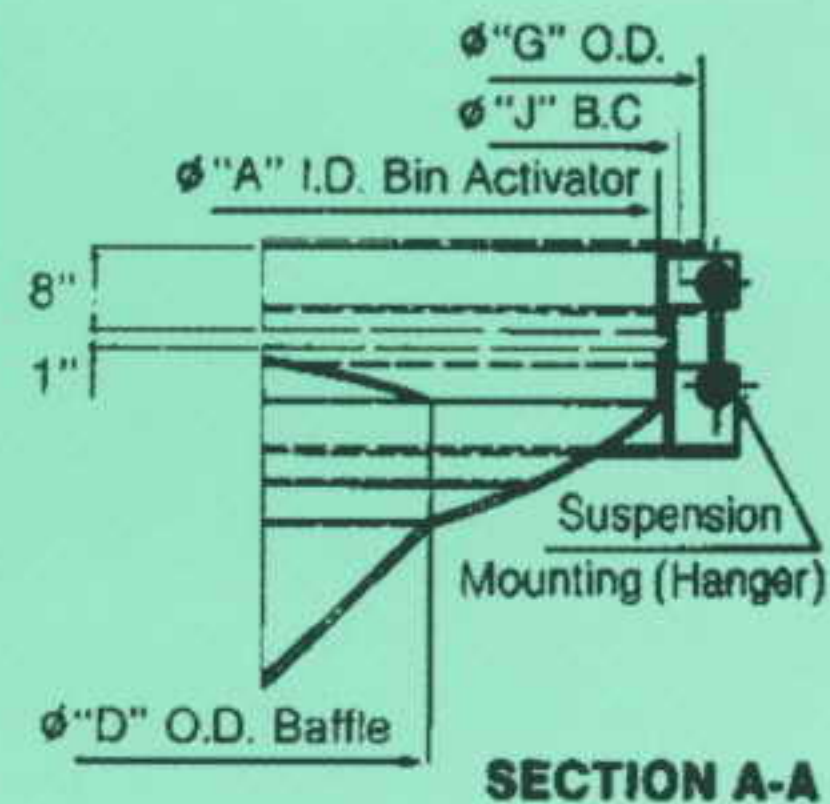
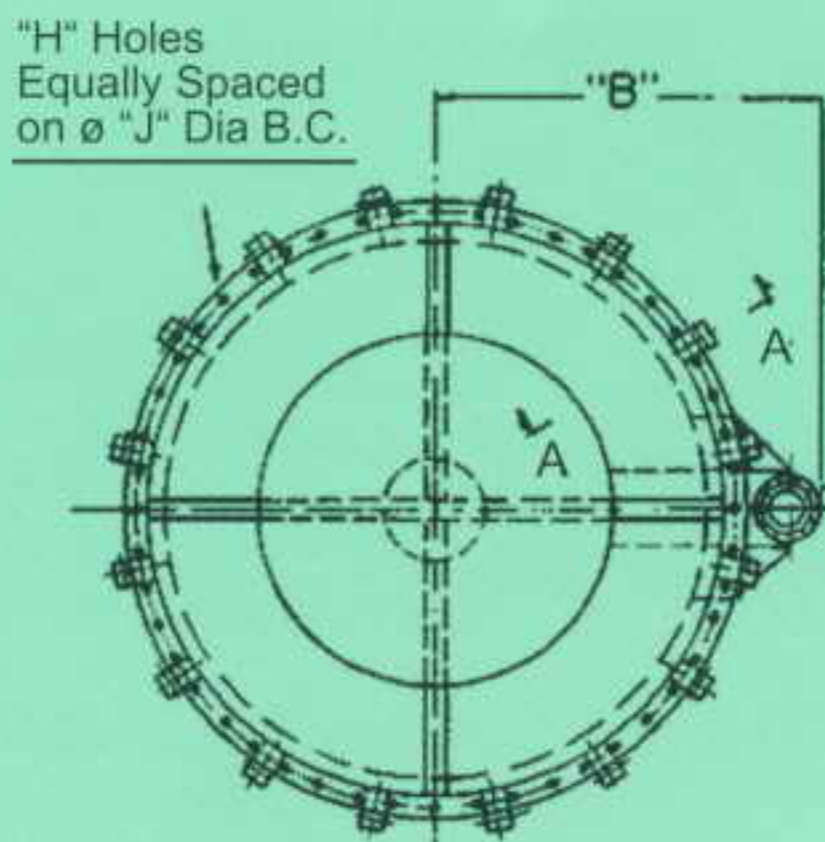
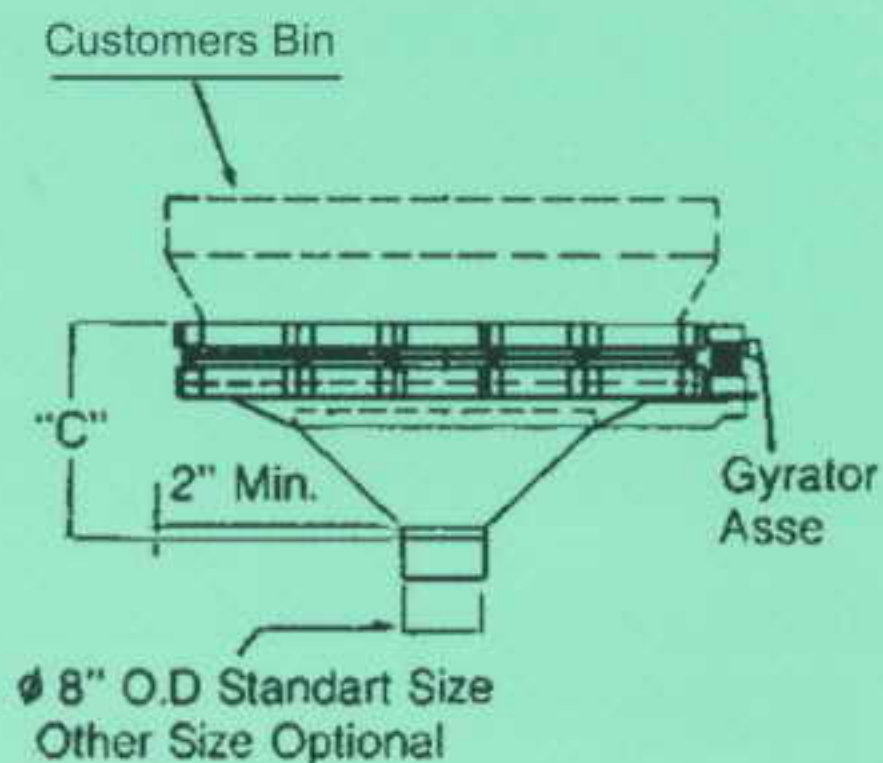
P.O.B.2195 Industrial Zone Afula Elite 18101

Tel: 972-4-6592376 Fax: 972-4-6595802

E-mail: hishco@netvision.net.il

Web site: www.hishcorp.com

GENERAL DATA



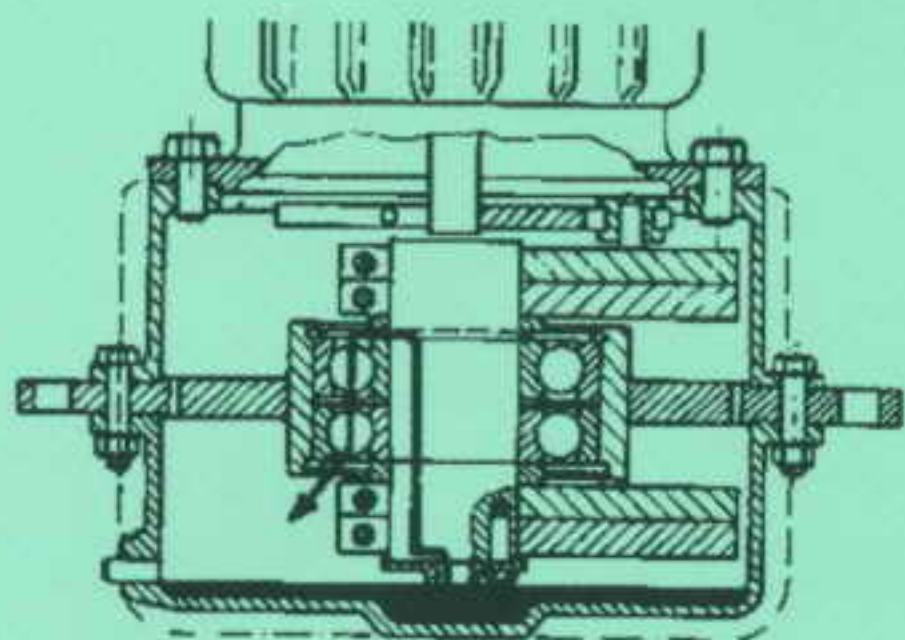
DIMENSIONS & ENGINEERING SPECIFICATIONS

SIZE	ø"A"	"B"	"C"***	ø"D"	ø"G"	(H)DIA.	(H)No.	ø"J"	"K"***	H.P.	WGT.Kg
3'	915	870	650	500	1,070	18	18	990	4	1	280
4'	1,220	1,030	770	660	1,370	18	30	1,295	4	1 1/2	350
5'	1,525	1,180	920	910	1,700	18	30	1,600	4	1 1/2	460
6'	1,830	1,380	1,055	1,120	2,005	22	36	1,905	8	2	840
7'	2,135	1,520	1,170	1,270	2,310	22	36	2,210	8	2	1,060
8'	2,440	1,700	1,330	1,520	2,615	30	40	2,515	8	3	1,280
10'	3,050	2,000	1,590	1,880	3,225	30	48	3,125	16	3	2,230
12'	3,660	2,310	1,890	2,130	3,835	30	48	3,735	16	5	3,060
14'	4,265	2,620	2,270	2,440	4,445	30	72	4,345	24	(2) 5	5,540
15'	4,570	2,770	2,340	2,590	4,750	30	90	4,650	30	(2) 5	6,360
16'	4,880	2,920	2,460	2,740	5,055	30	96	4,955	32	(2) 5	7,270

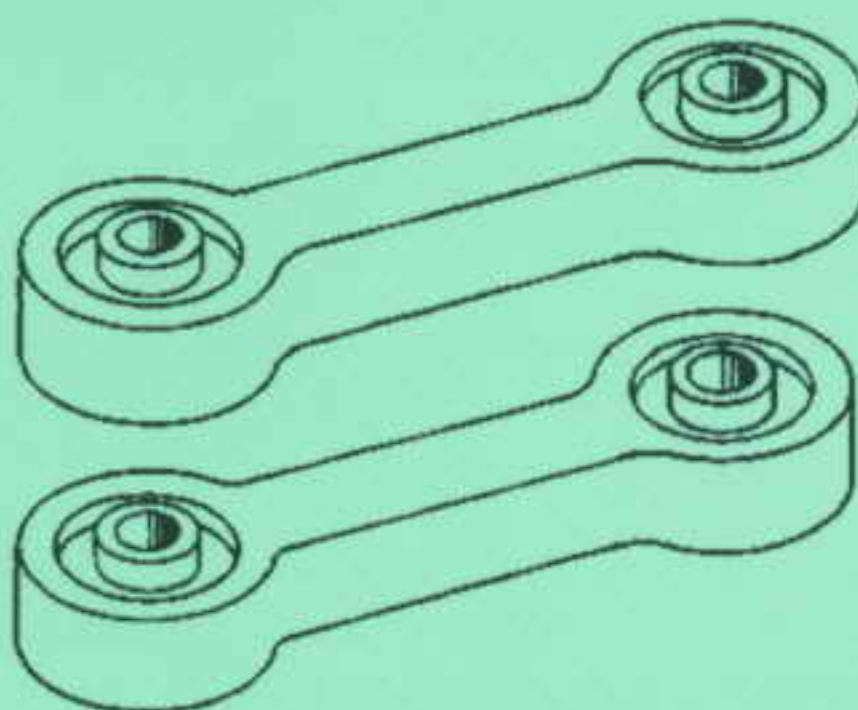
* "K" INDICATES THE NUMBER OF HANGERS
 ** "C" VARIES IF OUTLET'S DIAMETER CHANGES

TOLERANCES FOR ABOVE DIMENSIONS ± 3.N.M

DEMONSTRATED ADVANTAGES

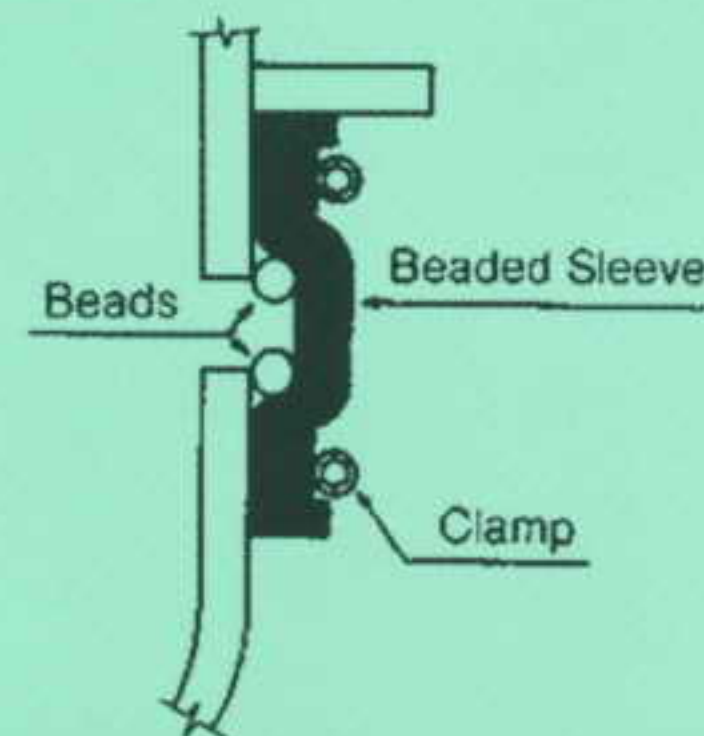


Sealed, Oil-Lubricated Gyrator delivers quiet operation without relubrication providing cool bearings and long life .



One Piece Forged Steel Hangers furnished with special rubber bushings for proper support and safety.

Correct operation requires vertical rigidity and horizontal flexibility in the support hangers .



Beaded Flexible Sleeve possesses excellent tear resistance and durability and seals the gap between the bin and Bin Activator to prevent material leakage.

The sleeve is fastened by stainless steel clamps .