

HISH BLENDS YOUR MATERIAL

The mixing quality of solids is of supreme importance to the chemical processor, food manufacturer and feed industry alike.

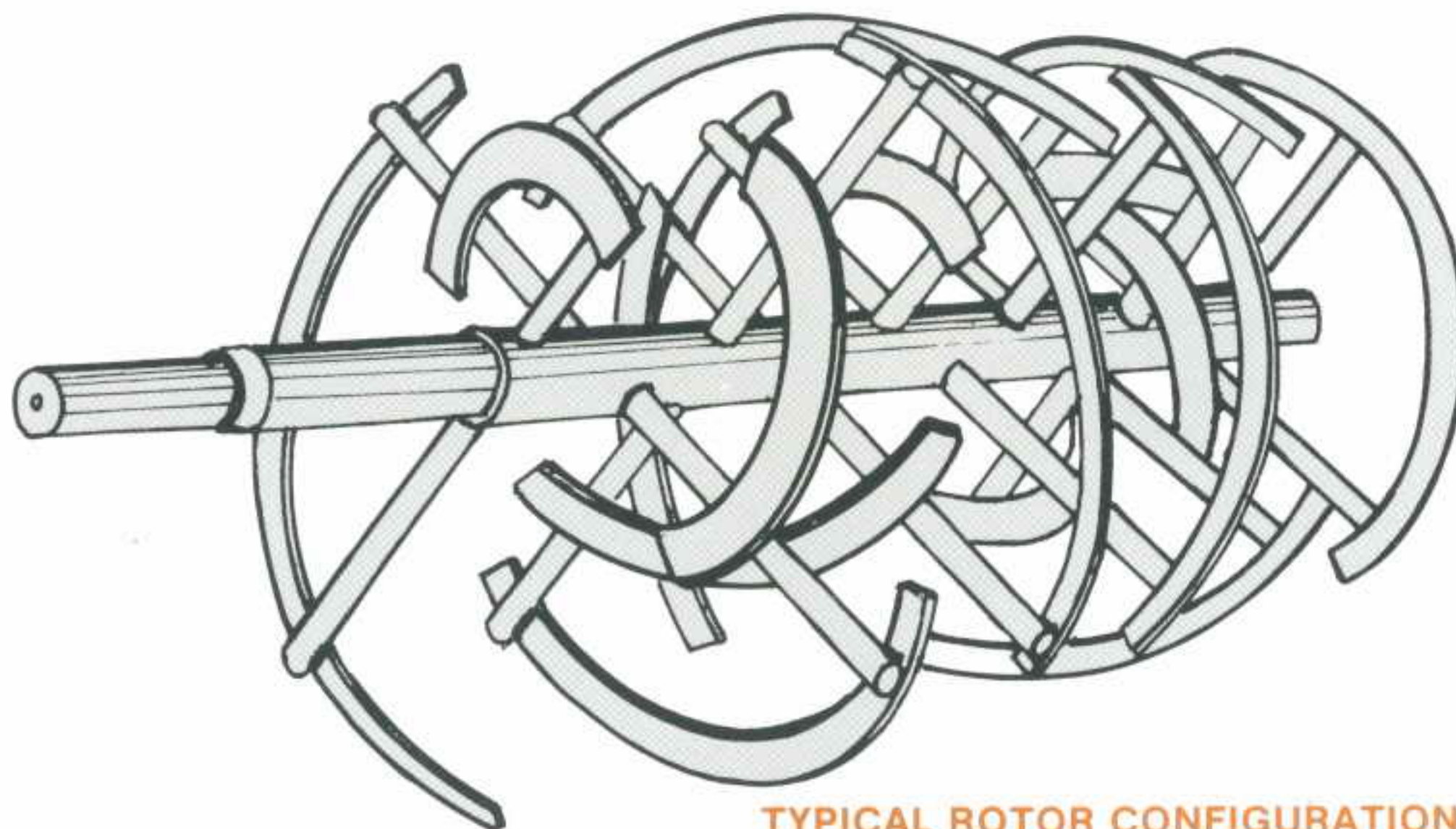
HISH batch **RIBBON BLENDERS** are robustly designed and totally reliable in operation.

The HISH BLENDERS can handle with equal ease dry, powdery, flaky, dusty or granular products — just to mention a few.

HISH can supply the **BEST BLENDER FOR THE JOB**

AT HISH WE HAVE THE ANSWERS

HISH Ribbon Blender



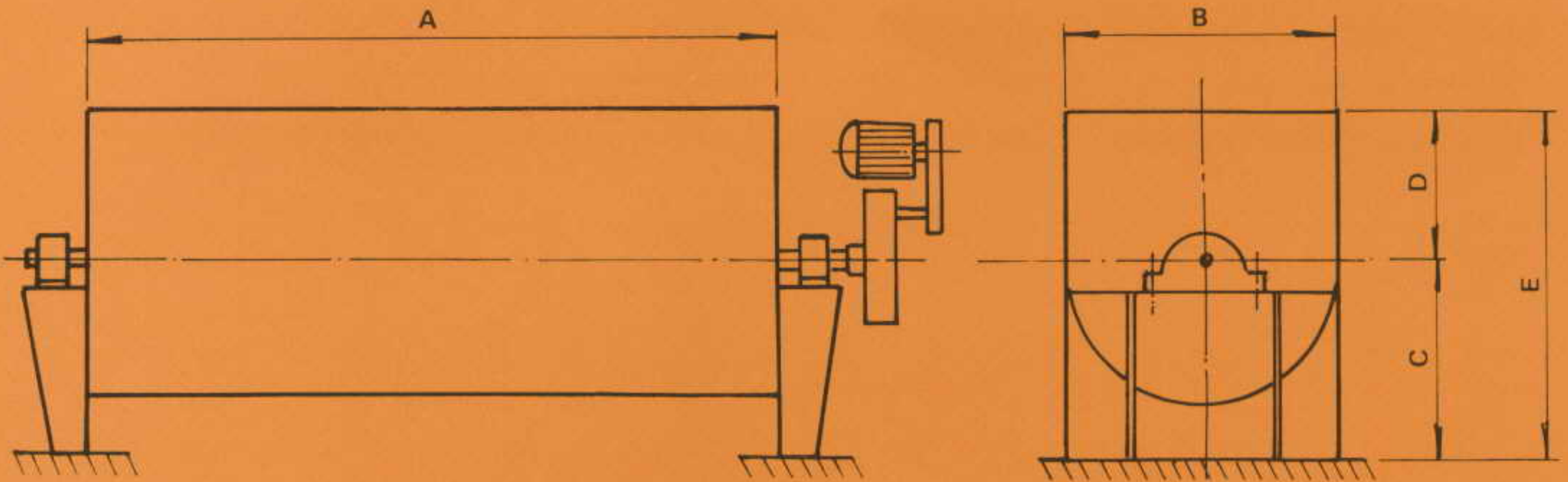
TYPICAL ROTOR CONFIGURATION

HISH

P.O.Box 10157
Haifa Bay 26111
ISRAEL
Tel. 04-414414
Telex: 45152 HISH IL
Fax: 04-411466

GENERAL DATA

TECHNICAL SPECIFICATION



TYPICAL DIMENSIONS IN MM

MODEL	A	B	C	D	E	WORKING VOLUME M ³	* MOTOR H.P FOR BULK DENSITY OF MATERIAL			SHAFT R.P.M. *
							0.5 T/M ³	1 T/M ³	1.5 T/M ³	
DB-1	2000	780	690	485	1175	1	5	10	15	34
DB-2	2700	860	790	610	1400	2	10	20	30	28
DB-3	3500	980	790	610	1400	3	15	25	40	23
DB-4	3500	1200	830	740	1570	4	20	30	50	20
DB-5	3500	1350	925	825	1750	5	30	50	75	17
DB-6	4100	1350	925	825	1750	6	30	50	75	17
DB-7	4800	1350	925	825	1750	7	40	75	—	14
DB-10	4800	1590	1100	970	2070	10	50	100	—	12

* THESE ARE ONLY INDICATIVE FIGURES, PLEASE CONSULT OUR ENGINEERS FOR EACH INDIVIDUAL APPLICATION.

OPTIONS

- Outlet: single, multiple, central, off-centre.
- Complete trough opening.
- Wetting and purging systems.
- Holding bin for rapid unloading.
- Homogenizer/chopper.
- Customised inlet/cover arrangement.

FEATURES

- Carbon or Stainless Steel construction.
- Ribbon, paddle or special application element.
- Heavy duty bearings and specialised shaft seal.
- Rotating element can be removed from the body without dismantling either the bearings or the drive assembly.
- Shaft mounted or direct drive gear arrangement as standard.
- Dust tight covers standard.
- Rapid mixing of feeds, with complete homogeneity attained in only a few minutes.
- Capacities of 1 to 30 tons per hour

BOTTOM VIEW of mixer with trough opening discharge (optional)

