



## HISH TAKES THE HEAT OFF YOUR PROCESS

**HISH** offers a large range of Process cooling equipment using ambient air as the cooling agent.

These units are particularly suitable for condensing and cooling processes where saving of water and prevention of pollution are essential.

**HISH** will professionally design Air Cooled Heat Exchangers or Condensers for your application.

Forced or induced draft, with single or multiple fan systems are available permitting a wide range adaptation under varying operating loads.

The modular units of sturdy construction are designed to ensure easy maintenance.

Large roof type units are supplied in prefitted sub-assemblies for bolted erection on site. Smaller units are completely shop assembled.

Manufactured strictly to the requirement of API 661 and ASME codes, The heaters can withstand pressures of up to 2000 psi.

Removable cover type headers are available for easy cleaning where fouling process liquids are present.

The **HISH** manufactured high quality finned tubes are assembled in a floating type structure that allows free expansion of all elements during thermal loading.

## AT HISH WE HAVE THE ANSWERS

### TYPICAL APPLICATIONS

- PROCESS COOLING
- CLOSED CIRCUIT WATER COOLING
- CHEMICAL PLANT CONDENSERS
- REFRIGERANT CONDENSERS
- POWER PLANT AUXILLIARY COOLING
- POWER AND COGENERATION PLANT CONDENSERS
- DRY COOLING TOWER

### ROOF TYPE

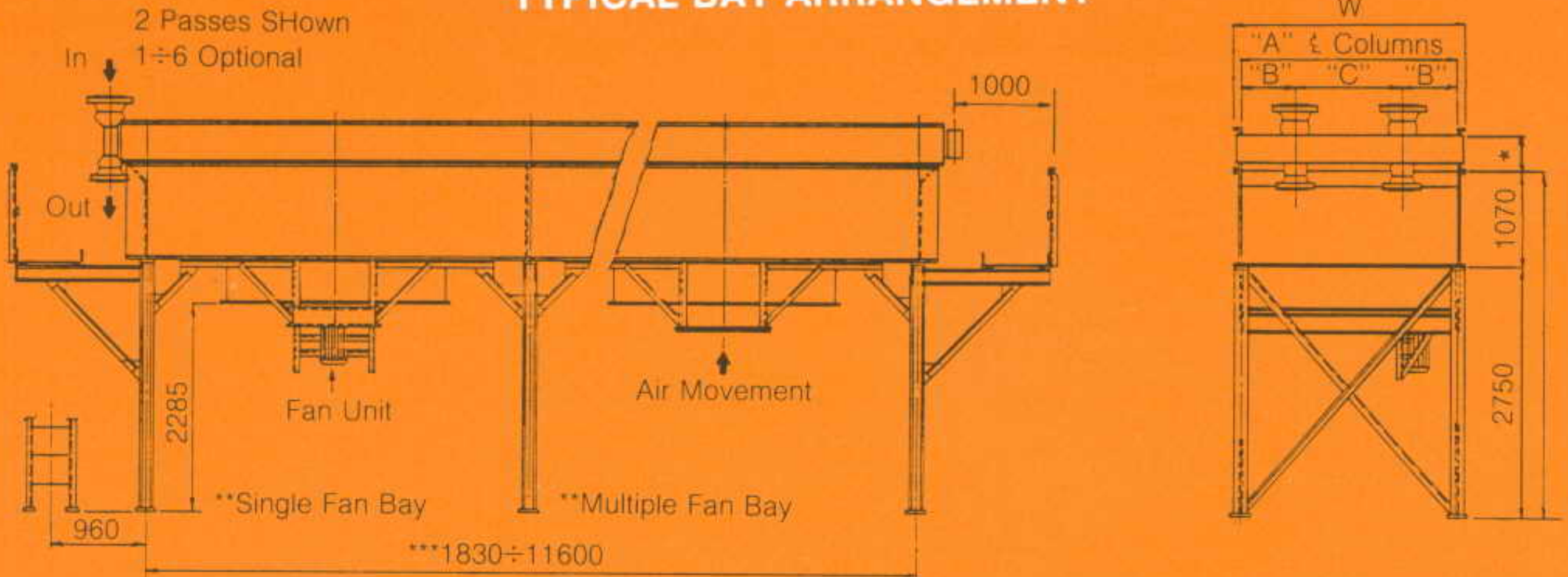


# HISH Air Cooled Heat Exchanger



# GENERAL DATA

## TYPICAL BAY ARRANGEMENT



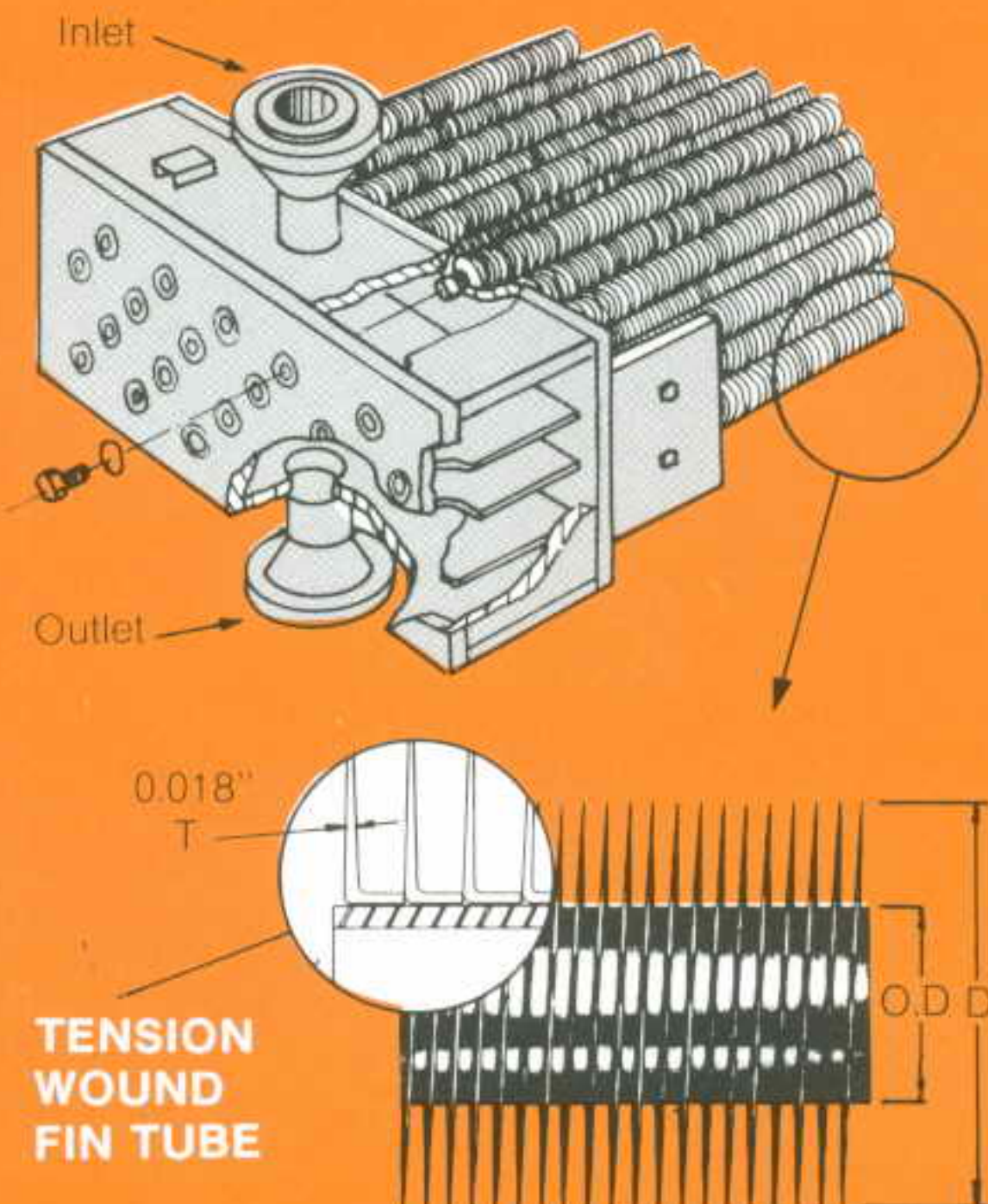
### TYPICAL DIMENSIONS IN MM

MODEL	A	B	C	W	EXTERNAL SURFACE M2	FAN MOTOR HP
H. AC 8	2440	610	1220	2590	200-500	2-5
H. AC 9	2750	690	1380	2900	500-800	3-5
H. AC 10	3050	760	1530	3200	800-1100	5-7.5
H. AC 11	3360	840	1680	3510	1100-1500	7.5-12.5
H. AC 12	3660	920	1830	3810	1500-2500	12.5-15
H. AC 13	3970	990	1980	4120	2500-4000	15-20
H. AC 14	4270	1070	2140	4420	4000-6500	20-40

### NOTES:

- \* 350 FOR X3 TUBE ROWS, 650 FOR X6 TUBE ROWS
- \*\* SINGLE FAN BAY OR MULTIPLE FAN BAY AVAILABLE
- \*\*\* DESIGN CRITERIA WILL DICTATE FINAL SIZES DIMENSIONS MAY VARY ACCORDING TO PROCESS SPECIFICATION AND APPLICATION

### BOX TYPE HEADER



O.D (TUBE)	1"	1 1/4"	1 1/2"	2"
D (mm)	57	63.5	70	82.5
FINS/INCH	10	10	10	10

### FAN ARRANGEMENT

